

# AmericanConnectors

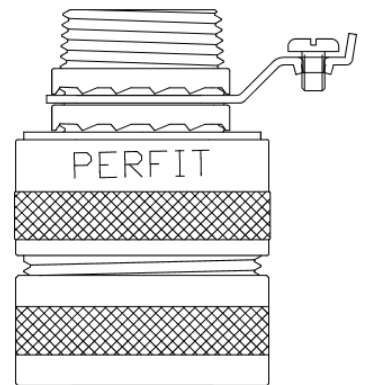
## **PER FIT**<sup>®</sup>

### MC CABLE CONNECTORS

# WT-WSE

**Wanted:** Demanding Jobs.

- Precision Machined Connectors Custom fit to your cable
- 360° Grounding Grounded **3x**
- 303 Stainless Steel WT Series Connector, two locknuts, and a Grounding Earth Tag
- Two locknuts maintain a mechanical ground during and after a fire
- Two locknuts keep part secure in high vibration areas
- UL Tested 514B and UL 467
- UL Tested with RSSC system 120



# AmericanConnectors

Fort Worth, Texas

Office: 800-535-6268 Fax: 817-536-0546

[AmericanConnectors.com](http://AmericanConnectors.com)



# Sizing and Specifications

Catalog Number	Hub Size	Armor OD Min	Armor OD Max	Jacket OD Min	Jacket OD Max	Connector Diameter	Assembly Length	Weight (Lbs.)
WSE 044-050	1/2"	0.38	0.44	0.47	0.53	1.25	2.6	1.2
WSE 050-050	1/2"	0.44	0.50	0.53	0.59	1.25	2.6	1.2
WSE 056-050	1/2"	0.50	0.56	0.59	0.65	1.25	2.6	1.2
WSE 062-050	1/2"	0.56	0.62	0.65	0.71	1.25	2.6	1.2
WSE 062-075	3/4"	0.56	0.62	0.65	0.71	1.50	2.7	1.6
WSE 069-075	3/4"	0.62	0.69	0.71	0.78	1.50	2.7	1.6
WSE 076-075	3/4"	0.69	0.76	0.78	0.85	1.50	2.7	1.6
WSE 083-075	3/4"	0.76	0.83	0.85	0.92	1.50	2.7	1.6
WSE 090-075	3/4"	0.83	0.90	0.92	0.99	1.50	2.7	1.6
WSE 097-100	1"	0.90	0.97	0.99	1.06	2.00	3.3	2.6
WSE 104-100	1"	0.97	1.04	1.06	1.13	2.00	3.3	2.6
WSE 111-100	1"	1.04	1.11	1.13	1.20	2.00	3.3	2.6
WSE 118-100	1"	1.11	1.18	1.20	1.27	2.00	3.3	2.6
WSE 125-125	1-1/4"	1.18	1.25	1.27	1.34	2.12	3.4	3.0
WSE 132-125	1-1/4"	1.25	1.32	1.34	1.41	2.12	3.4	3.0
WSE 139-125	1-1/4"	1.32	1.39	1.41	1.48	2.12	3.4	3.0
WSE 148-150	1-1/2"	1.39	1.48	1.48	1.57	2.50	3.7	4.5
WSE 157-150	1-1/2"	1.48	1.57	1.57	1.66	2.50	3.7	4.5
WSE 166-150	1-1/2"	1.57	1.66	1.66	1.75	2.50	3.7	4.5
WSE 175-200	2"	1.66	1.75	1.75	1.84	3.00	4.3	8.0
WSE 184-200	2"	1.75	1.84	1.84	1.93	3.00	4.3	8.0
WSE 193-200	2"	1.84	1.93	1.93	2.02	3.00	4.3	8.0
WSE 202-200	2"	1.93	2.02	2.02	2.11	3.00	4.3	8.0
WSE 213-250	2-1/2"	2.02	2.13	2.11	2.22	3.75	4.7	15.0
WSE 224-250	2-1/2"	2.13	2.24	2.22	2.33	3.75	4.7	15.0
WSE 235-250	2-1/2"	2.24	2.35	2.33	2.44	3.75	4.7	15.0
WSE 246-250	2-1/2"	2.35	2.46	2.44	2.55	3.75	4.7	15.0
WSE 257-250	2-1/2"	2.46	2.57	2.55	2.66	3.75	4.7	15.0
WSE 271-300	3"	2.57	2.71	2.66	2.80	4.50	4.8	20.0
WSE 285-300	3"	2.71	2.85	2.80	2.94	4.50	4.8	20.0
WSE 299-300	3"	2.85	2.99	2.94	3.08	4.50	4.8	20.0
WSE 313-300	3"	2.99	3.13	3.08	3.22	4.50	4.8	20.0
WSE 328-350	3-1/2"	3.13	3.28	3.22	3.37	5.00	5.0	25.0
WSE 343-350	3-1/2"	3.28	3.43	3.37	3.52	5.00	5.0	25.0
WSE 358-350	3-1/2"	3.43	3.58	3.52	3.67	5.00	5.0	25.0
WSE 373-400	4"	3.58	3.73	3.67	3.82	6.00	5.0	30.0
WSE 388-400	4"	3.73	3.88	3.82	3.97	6.00	5.0	30.0
WSE 403-400	4"	3.88	4.03	3.97	4.12	6.00	5.0	30.0
WSE 418-400	4"	4.03	4.18	4.12	4.27	6.00	5.0	30.0
WSE 433-400	4"	4.18	4.33	4.27	4.42	6.00	5.0	30.0